

## Geomagic Design

| Functionality                          | Import format                       | Export format                 |
|--|-------------------------------------|-------------------------------|
| 3D Model Creation •                    | STEP                                | STEP                          |
| 2D Documentation Creation •            | IGES                                | IGES                          |
| Sheet Metal Modeling •                 | SAT                                 | SAT                           |
| Bill of Materials •                    | RHINO 3D <sup>®</sup>               | ZPR                           |
| Global Parameters •                    | DWG, DXF                            | JPG, BMP, PNG, TIFF, GIF, EMF |
| Part-Family Creation •                 | BMP, DIB, RLE, GIF, TIF, TIFF, PNG, | SolidWorks <sup>®</sup>       |
| Direct Editing Toolset •               | JPG, JPEG, JPE, JFIF, EMF, WMF      | ParaSolid <sup>®</sup>        |
| Sense 3D Scanner Integration •         | 3DS, STL, OBJ, PLY, WRL             | BIP                           |
| Automatic NURBS Surfacing for Meshes • | Autodesk Inventor <sup>®</sup>      | EMF                           |
| 3D Printability Checks •               | Pro/ENGINEER/Creo <sup>®</sup>      | 3D PDF                        |
| Standard Part Library •                | SolidEdge <sup>®</sup>              |                               |
| Surfacing Editing •                    | CATIA <sup>®</sup>                  |                               |
| Photorealistic Rendering •             | Parasolid <sup>®</sup>              |                               |
| Comprehensive CAD I/O Capability •     | SolidWorks <sup>®</sup>             |                               |
| Motion Simulation * •                  |                                     |                               |
| Cloud based Document Management ** •   |                                     |                               |

# Geomagic<sup>®</sup> Design<sup>™</sup>

Driving CAD Engineering Forward



\* Only available for new purchases. / \*\* Requires access to TeamPlatform

## Contact Information

### AMERICAS

geomagic.sales.americas@3dsystems.com  
Cary, NC, USA : +1.800.691.1839  
Brazil : +55.11.98160.5948  
Mexico : +52 (644).114.6401

### APAC

geomagic.sales.apac@3dsystems.com  
South East Asia : +60.12.398.8473  
Australia & New Zealand : +61.450.593.739  
India : +91.9840478347

### CHINA

geomagic.sales.china@3dsystems.com  
Shanghai : +86.21.6432.0776

### EMEA

geomagic.sales.emea@3dsystems.com  
Darmstadt, Germany : +49.(0).6151.357.149

### JAPAN

geomagic.sales.japan@3dsystems.com  
Tokyo : +81.3.5798.2510

### KOREA

geomagic.sales.korea@3dsystems.com  
Seoul : +82.2.6262.9900

## About 3D Systems

3D Systems is a leading provider of 3D content-to-print solutions including 3D printers, print materials and on-demand custom parts services for professionals and consumers alike. The company also provides CAD, reverse engineering and inspection software tools and consumer 3D printers, apps and services. Its expertly integrated solutions replace and complement traditional methods and reduce the time and cost of designing new products by printing real parts directly from digital input. These solutions are used to rapidly design, create, communicate, prototype or produce real parts, empowering customers to create and make with confidence.

Specifications subject to change without notice.

3D Systems, Geomagic and the 3D Systems logo are registered trademarks of 3D Systems, Inc. All other trademarks are the property of their respective owners.

Copyright ©3D Systems, Inc. All rights reserved. Geomagic Design EN 2015



# Geomagic® Design™

Geomagic Design CAD software empowers you to get your design to production faster and more accurately than ever.

### Get to Market Faster

Empowering your business to get to production faster is crucial. Geomagic Design delivers efficiency from your first idea sketch to making product brochures to tracking orders. It's an all-in-one solution streamlined to help you deliver.

### Make Better Products

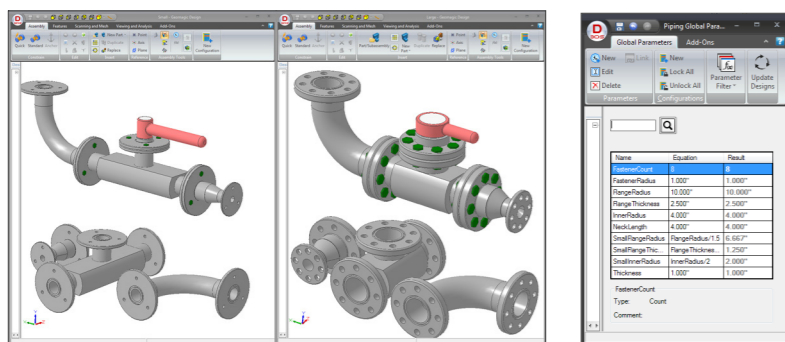
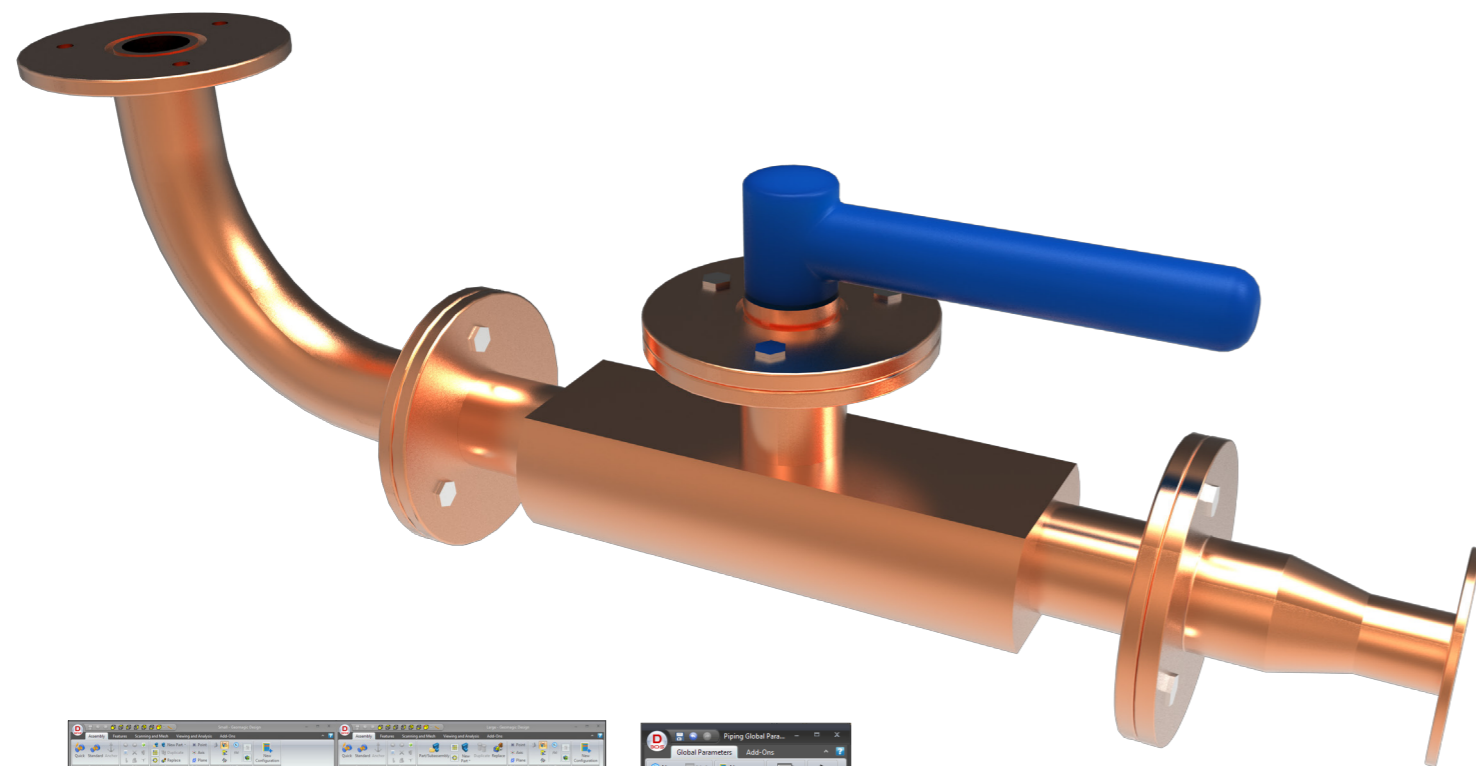
Turning ideas into the best products is why you're in business whether that means making them lighter, faster, stronger, less costly, more beautiful, less wasteful, or all of the above. Geomagic Design's creation environment provides you the tools to design, analyze and refine your product until it's perfect.

### Achieve Lower Development Costs

No more fighting your design environment. Geomagic Design works with your engineering, marketing, sales and management teams. Benefit from incredible ease of use that boosts productivity without sacrificing power. Design, communicate and iterate more easily and faster than ever before. Need a part to fit within an existing design? Scan it and design around it.

### Learn and Work as Fast as You Think

Every aspect of Geomagic Design's interface is purpose-built for speed. Applicable commands appear at the mouse when you need them. The customizable interface, environment and hotkeys let you work the way you want. Create and modify with ease. The interface is rich with helpful, visual tips on what various tools do and how to use them. You'll be productive in hours, not months.



| Name              | Equation             | Result   |
|-------------------|----------------------|----------|
| FlangeRadius      | 1.000"               | 1.0000"  |
| FlangeRadius      | 10.000"              | 10.0000" |
| FlangeThickness   | 2.500"               | 2.5000"  |
| FlangeRadius      | 4.000"               | 4.0000"  |
| FlangeThickness   | 4.000"               | 4.0000"  |
| SmallFlangeRadius | FlangeRadius/1.5     | 6.6667"  |
| SmallFlangeThick  | FlangeThickness/1.25 | 3.2000"  |
| SmallFlangeRadius | InnerRadius/2        | 2.0000"  |
| Thickness         | 1.000"               | 1.0000"  |

## MCAD Software You Can Trust

### Product Design

#### 3D Model Creation

Create full 3D digital prototypes of your products. Make assemblies fast with easy constraint creation, and see how your assembly will move and interact before producing physical prototypes. Instantly find out important physical details such as weight, moment of inertia and volume. Create intelligent files that house entire families of similar parts. A huge part library with standard components lets you focus on innovation rather than rework.

#### 2D Documentation

Rich, powerful and efficient, Geomagic Design's overhauled 2D drafting tools enable comprehensive detailing of your digital prototypes for manufacturing-ready documentation. Automation tools, such as the dimension cleanup wizard, place your dimensions perfectly. A greatly expanded detailing and view creation toolset makes 2D documentation a breeze.

#### Create Large Assemblies

Create designs with thousands of components. Geomagic Design has the power to create almost any product you can think of.

#### Sheet Metal Design

Designing components that are created from sheet metal requires a unique toolset. Geomagic Design's dedicated sheet metal module can tackle complex sheet metal designs with ease. From basic enclosures to complex lofted transitions, the software provides the dedicated tools you need. Powerful conversion tools turn regular parts or imported parts into native, unfoldable sheet metal parts with an easy wizard-style interface.

#### Infinitely Customizable Part Creation

Create flexible designs that can be reused and customized using Global Parameters. Design a part one time, and re-parameterize it to fit your custom-fit application.

### Communicate Better

#### Share Interactive Models Instantly

Geomagic Design lets you export a 3D PDF of your design, viewable by anyone with a recent version of Adobe Acrobat. The recipient can zoom, rotate and pan through the design as well as create section views. Accelerate and improve your communication with stakeholders earlier without special software or installing anything new. Embed the PDF on your website for interactive product catalogs.

#### Lifelike Renderings in Minutes

By being a customer you get access to high end, professional rendering software by Keyshot, at no charge. Make beautiful, realistic images of your products to use for marketing collateral or to explore material and color considerations of your products. Win bids by including picture-perfect shots you'll create in a matter of minutes with drag-and-drop ease.

### Validate

Fully test your design with built-in motion simulation tools. Apply forces, motors and actuators, and run simulations to see the result. Probe various motion elements graphically to see the forces acting on your components. Quickly iterate the optimal geometry that achieves your design goals without creating any physical prototypes.

### Data, Process & Contact Management

TeamPlatform lets you take control of your design data but also provides comprehensive tools to keep all of your business data under control, categorized, and searchable anytime, anywhere via a high-performance cloud platform. Full version control, file-lock, remote access, contact management, and project management all work together to give you as much control over your business as you need. It's 100% customizable to the unique needs of your business environment.

### Interoperability

#### Using CAD Data From Others

Import CAD data from almost any source for easy viewing and sharing. Interrogate the model with measuring tools. Create a print or mark up sheet for communicating with customers or manufacturers. Edit your model, with no history tree necessary. Use our Direct editing tools to make adjustments for additive or subtractive manufacturing. Smart inferecing makes quick work of otherwise complicated design challenges, such as moving or removing complex geometry from an imported design.

